

Handling System for Pot & Pans Pre-wash/Unloading Table with Deep Right Basin, 1400mm

ITEM # _____

MODEL # _____

NAME # _____

SIS # _____

AIA # _____



865358 (BHPPTB14R)

Prewash table with deep right basin for pass-through pot and pan washer, 1400 mm

Short Form Specification

Item No. _____

For potwasher. Table top in polished AISI 304 stainless steel, with anti-drip edge and backsplash mm300h. N. 2 square 40x40mm tubular legs on height-adjustable feet. Bowl size mm700x500x250h box strainer with bucket for shut-off valve (non included). Deep basin on right side.

Main Features

- Supplied knocked-down and easy to assemble.
- Pre-wash tables equipped with splash guard, sink with deep basin and removable stainless steel strainer basket.
- Equipped with plain and grid under shelves, a pre-wash spray unit and a shut off valve.

Construction

- 304 AISI stainless steel construction throughout.
- All surfaces smooth with polished finish.
- Stainless steel square 40x40mm tubular legs.
- To be secured to the dishwasher and fitted with one pair of legs at the other end.
- Deep anti-drip profiles completely folded with lower edge for safe and easy cleaning.

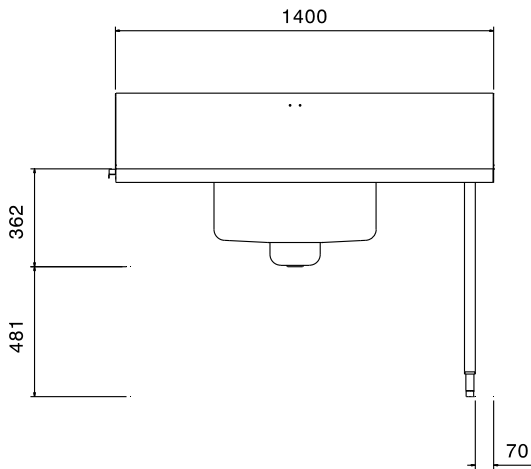
Optional Accessories

- Strainer basket for pre-wash table PNC 864068
- Grid undershelf for pot and pan washer table, 1400 mm PNC 865366
- Floor fastening kit for 2 square legs PNC 865386
- Undershelf for pot and pan washer table, 1400 mm PNC 865388
- Single plastic drain syphon 2" for sinks PNC 895313

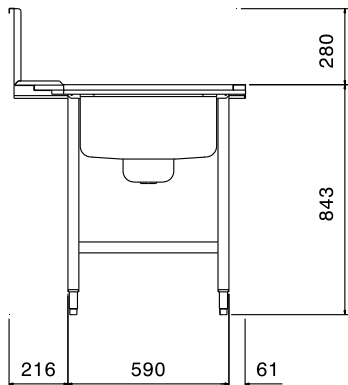
APPROVAL: _____

Handling System for Pot & Pans Pre-wash/Unloading Table with Deep Right Basin, 1400mm

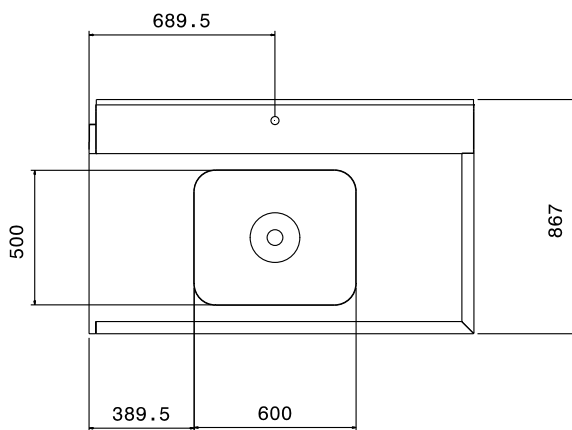
Front



Side



Top



Key Information:

External dimensions, Width:	
865358 (BHPPTB14R)	1400 mm
External dimensions, Depth:	867 mm
External dimensions, Height:	1123 mm
Net weight:	10 kg
Feeding direction:	from Right to Left